

THE BEST OF BOTH WORLDS:
FULLY AUTOMATIC
INSERTING UNIT STÖGER KLB
WITH B&M KL PLUG®



Fully automatic inserting unit for b&m KL PLUG® with patented quality control

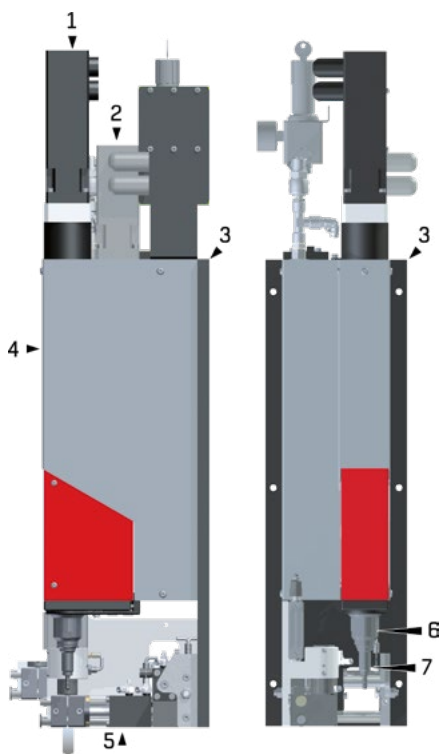
The inserting unit with force-displacement measurement is designed for fully automatic processing of b&m KL PLUG®s. The load cell with a measurement accuracy of 0.05% allows highly accurate monitoring of the insertion process up to a force of 25kN. The cycle time for an insertion process is 5-7 seconds.

The system can be used in a stationary setting, in transfer systems, rotary table systems or robot systems. The b&m KL PLUG®s are singulated in a feed system as bulk materials and automatically fed into the correct position via a flexible feed tube in relation to the inserting unit.

Advantages of the STÖGER KLB

+ Functional check of the thread during winding in and out, incorrectly detected b&m KL PLUG®s are automatically ejected and replaced

+ 100% success control thanks to force sensor



Technical data

Zustellhub	125 mm
Ziehkraft	25 kN
Gewicht	approx. 40 kg

- 1 Servo drive (for drawing tool)
- 2 Servo drive (for turning)
- 3 Installation plate
- 4 Integrated load cell
- 5 Loading device
- 6 Inserting head with integrated stroke
- 7 Drawing tool

b&m KL PLUG®

A closure and sealing system
for bores with and without
compressive stresses



The b&m KL PLUG® product family, manufactured in Germany, offers a wide range of material and geometry alternatives for your application. New application-specific developments are also possible.

Advantages

- + Sealed to 30 bar without additional additives
- + Available in different materials
- + Available in different diameters
- + Avoidance of dead spaces
- + Compliance with current cleanliness requirements
- + Significant weight advantages compared to conventional solutions
- + No waste products generated after installation
- + High degree of automation incl. process monitoring possible
- + Dismountable
- + Geometry adaptable to specific applications

Application examples

- Battery housing
- Electric motor
- Power electronics
- Pumps
- Gearbox
- Cylinder head
- Turbocharger
- Engine blocks



STÖGER AUTOMATION GmbH
Gewerbering am Brand 1
82549 Königsdorf
Germany
Tel.: +49 8179 997 67-0
info@stoeger.com



www.stoeger.com



baier & michels GmbH & Co. KG
Carl-Schneider-Straße 1
64372 Ober-Ramstadt
Germany
Tel.: +49 (0) 61 54 69 60 - 0
Fax: +49 (0) 61 54 69 60 - 500
info@baier-michels.com



www.baier-michels.com